



**SM-SRS Parts Identification Manual
 820-0309-02 Revision C**

SunMizer Solar Roofing Systems Roofing System Kits:

Two or three rows of solar modules in landscape orientation with Central Inverter DC-AC power conversion.

Two Row Landscape		Three Row Landscape
360-0146-003 (2x3 Solar Modules)		360-0144-003 (3x3 Solar Modules)
360-0146-004 (2x4 Solar Modules)		360-0144-004 (3x4 Solar Modules)
360-0146-005 (2x5 Solar Modules)		360-0144-005 (3x5 Solar Modules)
360-0146-006 (2x6 Solar Modules)		360-0144-006 (3x6 Solar Modules)
360-0146-007 (2x7 Solar Modules)		360-0144-007 (3x7 Solar Modules)
360-0146-008 (2x8 Solar Modules)		360-0144-008 (3x8 Solar Modules)

SunMizer Customer Service Contact Information

SunMizer Customer Service
Xandex Inc.
1360 Redwood Way
Suite A
Petaluma, CA 94954
TEL (Toll Free): +1-855-467-6777
FAX: +1 (707) 763-2631
EMAIL: info@sunmizer.com
www.sunmizer.com

Purpose of this document

The purpose of this document is to provide an illustrated Bill Of Materials for part identification and kit contents inventory.

This document contains the following SunMizer Solar Roofing System Roofing Kit information:

- ◆ Illustrated Bill of Materials
- ◆ Required Non-Supplied Materials Specifications

SM-SRS Parts List for roofing kits 360-0144-003 through 360-0144-008: three row landscape solar panel orientation with central inverter

The following tables contain an image, description and quantity of parts included in the SM-SRS kit(s) listed above. SM-SRS kits are thoroughly inspected at the factory for quality and part count. Always check the contents of your order against this list before beginning installation. If parts are missing from your shipment, [contact the SunMizer Customer Service Team](#).

PART NUMBER	DESCRIPTION	360-0144-003	360-0144-004	360-0144-005	360-0144-006	360-0144-007	360-0144-008
111-0507	FLASHING TOP EDGE	0	1	2	2	3	4
111-0508	FLASHING STEP TOP RIGHT	1	1	1	1	1	1
111-0509	FLASHING STEP TOP LEFT	1	1	1	1	1	1
111-0516	FLASHING COVER TOP EDGE	1	2	3	3	4	5
111-0517	FLASHING TOP EDGE RT	1	1	1	1	1	1
111-0518	FLASHING TOP EDGE LT	1	1	1	1	1	1
111-0522-01	FLASHING STEP 01	4	4	4	4	4	4
111-0522-02	FLASHING STEP 02	50	50	50	50	50	50
111-0532	PANEL METAL ROOF B3 LANDS	6	8	10	12	14	16
111-0534	PANEL METAL ROOF D3 LANDS	5	7	9	11	13	15
111-0537	RAIL WASHER/SPACER SOLAR	30	40	50	60	60	70
111-0538	BRACKET J-BOX MNTG SM-SRS	1	1	1	1	1	1
111-0543	CLOSURE TOP D PANEL	4	6	8	10	12	14
111-0544	CLOSURE TOP D PANEL W/EMT	1	1	1	1	1	1
111-0514	CLOSURE TOP RT PANEL	1	1	1	1	1	1
111-0515	CLOSURE TOP LT PANEL	1	1	1	1	1	1
135-0502	CLOSURE LOWER B PANEL	8	8	12	12	16	16
135-0505	LOWER CLOSURE D PANEL	8	8	12	12	16	16
230-0661	ASSY SEAL TOP FLASHING	1	2	3	3	4	5

230-0662	ASSY BOLT SEAL	3	4	5	6	6	7
230-4003	ASSY INSTALLATION EBOX	1	1	1	1	1	1
111-0519*	SUPPORT 1/2IN EMT CONDUIT	1	1	1	1	1	1
158-0931*	CLAMP 1/2 RIGID OR 3/4 EM	1	1	1	1	1	1
509-2502*	NUT FLANGED HEX 1/4-20 SS	3	3	3	3	3	3
510-7503*	SCR PANCAKE HEAD TYPE A P	6	6	6	6	6	6
510-7910*	HBOLT 1/4-20 X 7/8 SS	3	3	3	3	3	3
158-0938*	CORDGRIP 3/4 STR 4 HOLE	1	1	1	1	1	1
230-4017	ASSY RAIL 3-ROW LANDSCAPE	6	8	10	12	14	16
502-0401	TAPE BUTYL SEALING 3/4 X	5	6	7	8	9	10
510-7515	SCR HWH WOODZAC XG 12 X 1-1/2	500	750	1000	1000	1250	1500
510-7516	SCR HWH TYPE A POINT 12 X 3/4	250	500	500	500	750	750
510-7518	SCR FLANGED HHC 1/4-20 X 1 SS	30	40	50	60	60	70
230-4022	ASSY SRS SUNMIZER ROOFING REPAIR	1	1	1	1	1	1
502-0410**	SEALANT DURALINK DARK BRO	1	1	1	1	1	1
502-0411**	PAINT TOUCH-UP 6OZ SPRAY	1	1	1	1	1	1
510-7510**	SCR HWH AB POINT #17 X 1-1/2	20	20	20	20	20	20
510-7511**	SCR HWH AB POINT #17 X 3/4	5	5	5	5	5	10
170-0050**	NUTDRIVER 3/8	1	1	1	1	1	1
170-0051**	NUTDRIVER 7/16	1	1	1	1	1	1
170-0052**	SCREWDRIVER #2 PHILLIPS	1	1	1	1	1	1

* Packaged with 230-4003 Electrical Junction Box Assembly

** Packaged with 230-4022 Roofing Repair Kit

MATERIALS:

Steel roofing panels and flashings are G90 or AZ50
COATED STEEL IAW ASTM A653 or A792: PVDF
RESIN COATED.

PV Module mounting rails are ALUMINUM 6063-T6:
ANODIZED IAW AAMA 611 CLASS 1

SM-SRS Parts List for roofing kits 360-0146-003 through 360-0146-008: two row landscape solar panel orientation with central inverter

The following tables contain an image, description and quantity of parts included in the SM-SRS kit(s) listed above. SM-SRS kits are thoroughly inspected at the factory for quality and part count. Always check the contents of your order against this list before beginning installation. If parts are missing from your shipment, [contact the SunMizer Customer Service Team](#).

ITEM	DESCRIPTION	360-0146-003	360-0146-004	360-0146-005	360-0146-006	360-0146-007	360-0146-008
111-0507	FLASHING TOP EDGE	0	1	2	2	3	4
111-0508	FLASHING STEP TOP RIGHT	1	1	1	1	1	1
111-0509	FLASHING STEP TOP LEFT	1	1	1	1	1	1
111-0516	FLASHING COVER TOP EDGE	1	2	3	3	4	5
111-0517	FLASHING TOP EDGE RT	1	1	1	1	1	1
111-0518	FLASHING TOP EDGE LT	1	1	1	1	1	1
111-0522-01	FLASHING STEP 01	4	4	4	4	4	4
111-0522-02	FLASHING STEP 02	30	30	30	30	30	30
111-0537	RAIL WASHER/SPACER SOLAR	20	30	40	40	50	60
111-0538	BRACKET J-BOX MNTG SM-SRS	1	1	1	1	1	1
111-0539	METAL ROOF PANEL B2L	6	8	10	12	14	16
111-0540	METAL ROOF PANEL C2L	5	7	9	11	13	15
111-0543	CLOSURE TOP D PANEL	4	6	8	10	12	14
111-0544	CLOSURE TOP D PANEL W/EMT	1	1	1	1	1	1
111-0514	CLOSURE TOP RT PANEL	1	1	1	1	1	1
111-0515	CLOSURE TOP LT PANEL	1	1	1	1	1	1
135-0502	CLOSURE LOWER B PANEL	8	8	12	12	16	16
135-0505	LOWER CLOSURE D PANEL	8	8	12	12	16	16
230-0661	ASSY SEAL TOP FLASHING	1	2	3	3	4	5
230-0662	ASSY BOLT SEAL	2	3	4	4	5	6
230-4003	ASSY INSTALLATION EBOX	1	1	1	1	1	1
111-0519*	SUPPORT 1/2IN EMT CONDUIT	1	1	1	1	1	1
158-0931*	CLAMP 1/2 RIGID OR 3/4 EM	1	1	1	1	1	1
509-2502*	NUT FLANGED HEX 1/4-20 SS	3	3	3	3	3	3
510-7503*	SCR PANCAKE HEAD TYPE A P	6	6	6	6	6	6
510-7910*	HBOLT 1/4-20 X 7/8 SS	3	3	3	3	3	3

158-0938*	CORDGRIP 3/4 STR 4 HOLE .	1	1	1	1	1	1
230-4018	ASSY RAIL 2-ROW LANDSCAPE	6	8	10	12	14	16
502-0401	TAPE BUTYL SEALING 3/4 X	4	5	6	7	8	9
510-7515	SCR HWH WOODZAC XG 12 X 1-1/2	500	500	750	750	1000	1000
510-7516	SCR HWH TYPE A POINT 12 X 3/4	250	250	500	500	500	500
510-7518	SCR FLANGED HHC 1/4-20 X 1 SS	20	30	40	40	50	60
230-4022	ASSY SRS SUNMIZER ROOFING REPAIR	1	1	1	1	1	1
502-0410**	SEALANT DURALINK DARK BRO	1	1	1	1	1	1
502-0411**	PAINT TOUCH-UP 6OZ SPRAY	1	1	1	1	1	1
510-7510**	SCR HWH AB POINT #17 X 1-1/2	20	20	20	20	20	20
510-7511**	SCR HWH AB POINT #17 X 3/4	5	5	5	5	5	10
170-0050**	NUTDRIVER 3/8	1	1	1	1	1	1
170-0051**	NUTDRIVER 7/16	1	1	1	1	1	1
170-0052**	SCREWDRIVER #2 PHILLIPS	1	1	1	1	1	1

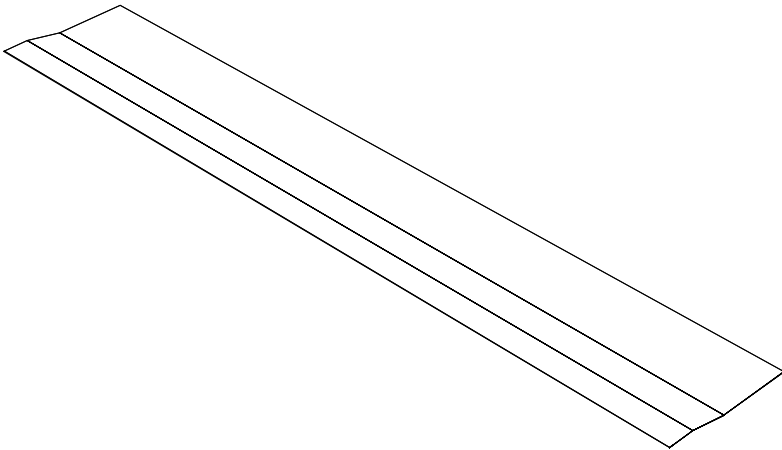
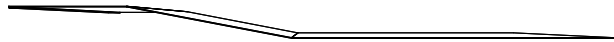
* Packaged with 230-4003 Electrical Junction Box Assembly

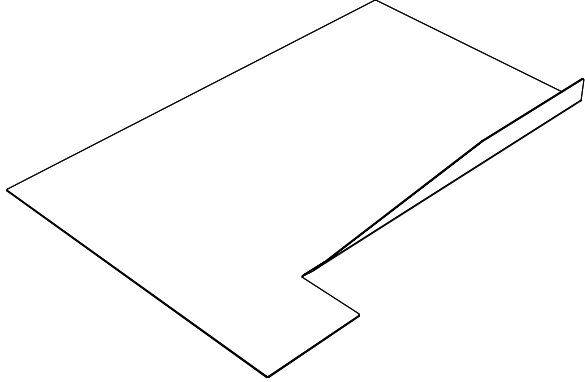

** Packaged with 230-4022 Roofing Repair Kit

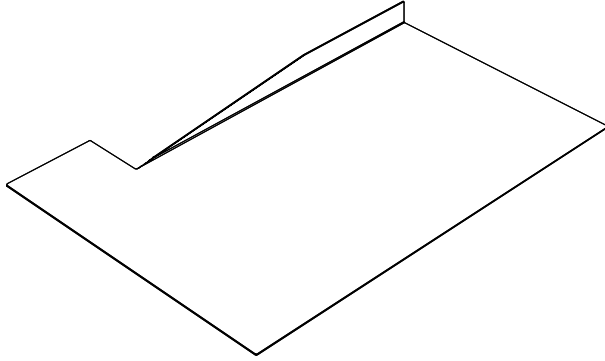

MATERIALS:

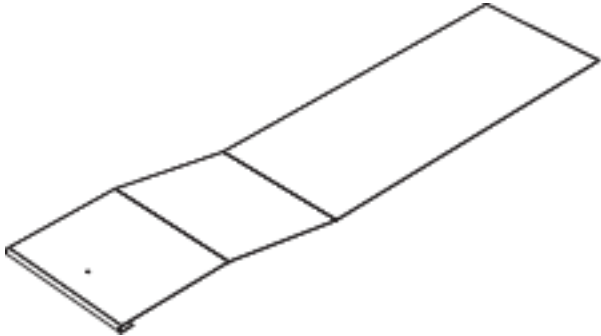

Steel roofing panels and flashings are G90 or AZ50
COATED STEEL IAW ASTM A653 or A792: PVDF
RESIN COATED.

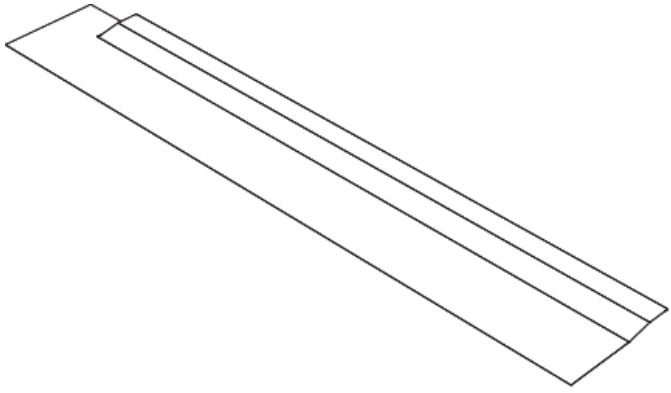

PV Module mounting rails are ALUMINUM 6063-T6:
ANODIZED IAW AAMA 611 CLASS 1

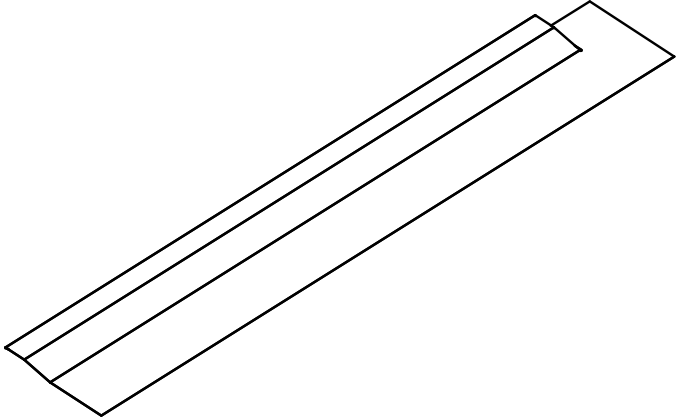
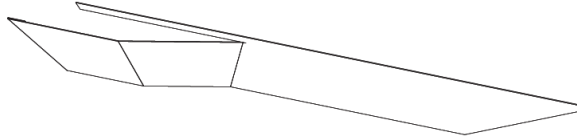
Part Number: 111-0507		View 1				View 2	
Model Name:	FLASHING, TOP EDGE						
Dimensions: (inches)	120 L x 20.9 W x 1.0H						
Material:	24 GAUGE (0.024 THK) COATED STEEL						
Kit Part Number / Description:	360-0146-003 2x3 Landscape	360-0146-004 2x4 Landscape	360-0146-005 2x5 Landscape	360-0146-006 2x6 Landscape	360-0146-007 2x7 Landscape	360-0146-008 2x8 Landscape	
Quantity:	0	1	2	2	3	4	
Kit Part Number / Description:	360-0144-003 3x3 Landscape	360-0144-004 3x4 Landscape	360-0144-005 3x5 Landscape	360-0144-006 3x6 Landscape	360-0144-007 3x7 Landscape	360-0144-008 3x8 Landscape	
Quantity:	0	1	2	2	3	4	

Part Number: 111-0508		View 1			View 2	
Model Name:	STEP FLASHING, TOP CORNER, RIGHT					
Dimensions: (inches)	9 L x 7.5 W x 0.59 H					
Material:	24 GAUGE (0.024 THK) COATED STEEL					
Kit Part Number / Description:	360-0146-003 2x3 Landscape	360-0146-004 2x4 Landscape	360-0146-005 2x5 Landscape	360-0146-006 2x6 Landscape	360-0146-007 2x7 Landscape	360-0146-008 2x8 Landscape
Quantity:	1	1	1	1	1	1
Kit Part Number / Description:	360-0144-003 3x3 Landscape	360-0144-004 3x4 Landscape	360-0144-005 3x5 Landscape	360-0144-006 3x6 Landscape	360-0144-007 3x7 Landscape	360-0144-008 3x8 Landscape
Quantity:	1	1	1	1	1	1

Part Number: 111-0509		View 1				View 2	
Model Name:	STEP FLASHING, TOP CORNER, LEFT						
Dimensions: (inches)	9 L x 7.5 W x 0.59 H						
Material:	24 GAUGE (0.024 THK) COATED STEEL						
Kit Part Number / Description:	360-0146-003 2x3 Landscape	360-0146-004 2x4 Landscape	360-0146-005 2x5 Landscape	360-0146-006 2x6 Landscape	360-0146-007 2x7 Landscape	360-0146-008 2x8 Landscape	
Quantity:	1	1	1	1	1	1	
Kit Part Number / Description:	360-0144-003 3x3 Landscape	360-0144-004 3x4 Landscape	360-0144-005 3x5 Landscape	360-0144-006 3x6 Landscape	360-0144-007 3x7 Landscape	360-0144-008 3x8 Landscape	
Quantity:	1	1	1	1	1	1	

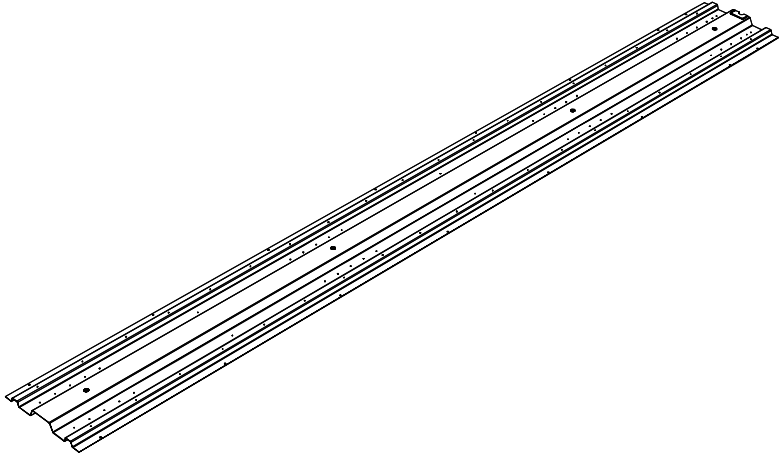
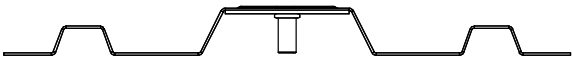
Part Number:	111-0516		View 1		View 2	
Model Name:	FLASHING COVER, TOP EDGE					
Dimensions: (inches)	21.0 L x 5.0 W x 2.0H					
Material:	24 GAUGE (0.024 THK) COATED STEEL					
Kit Part Number / Description:	360-0146-003 2x3 Landscape	360-0146-004 2x4 Landscape	360-0146-005 2x5 Landscape	360-0146-006 2x6 Landscape	360-0146-007 2x7 Landscape	360-0146-008 2x8 Landscape
Quantity:	1	2	3	3	4	5
Kit Part Number / Description:	360-0144-003 3x3 Landscape	360-0144-004 3x4 Landscape	360-0144-005 3x5 Landscape	360-0144-006 3x6 Landscape	360-0144-007 3x7 Landscape	360-0144-008 3x8 Landscape
Quantity:	1	2	3	3	4	5

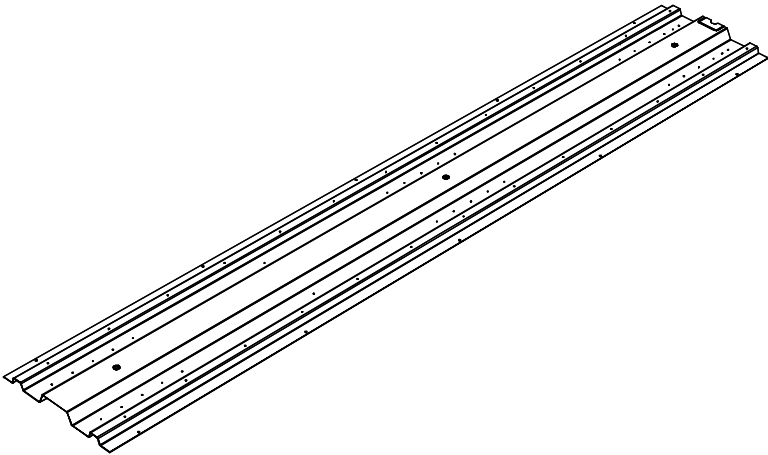

Part Number: 111-0517		View 1				View 2	
Model Name:	FLASHING, TOP EDGE RT						
Dimensions: (inches)	120 L x 20.9 W x 1.0H						
Material:	24 GAUGE (0.024 THK) COATED STEEL						
Kit Part Number / Description:	360-0146-003 2x3 Landscape	360-0146-004 2x4 Landscape	360-0146-005 2x5 Landscape	360-0146-006 2x6 Landscape	360-0146-007 2x7 Landscape	360-0146-008 2x8 Landscape	
Quantity:	1	1	1	1	1	1	
Kit Part Number / Description:	360-0144-003 3x3 Landscape	360-0144-004 3x4 Landscape	360-0144-005 3x5 Landscape	360-0144-006 3x6 Landscape	360-0144-007 3x7 Landscape	360-0144-008 3x8 Landscape	
Quantity:	1	1	1	1	1	1	

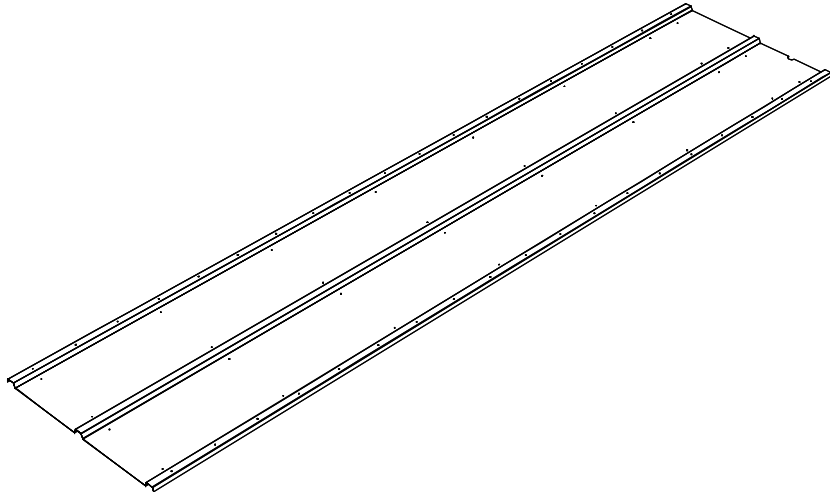

Part Number:	111-0518	View 1				View 2	
Model Name:	FLASHING, TOP EDGE LT						
Dimensions: (inches)	120 L x 20.9 W x 1.0H						
Material:	24 GAUGE (0.024 THK) COATED STEEL						
Kit Part Number / Description:	360-0146-003 2x3 Landscape	360-0146-004 2x4 Landscape	360-0146-005 2x5 Landscape	360-0146-006 2x6 Landscape	360-0146-007 2x7 Landscape	360-0146-008 2x8 Landscape	
Quantity:	1	1	1	1	1	1	
Kit Part Number / Description:	360-0144-003 3x3 Landscape	360-0144-004 3x4 Landscape	360-0144-005 3x5 Landscape	360-0144-006 3x6 Landscape	360-0144-007 3x7 Landscape	360-0144-008 3x8 Landscape	
Quantity:	1	1	1	1	1	1	

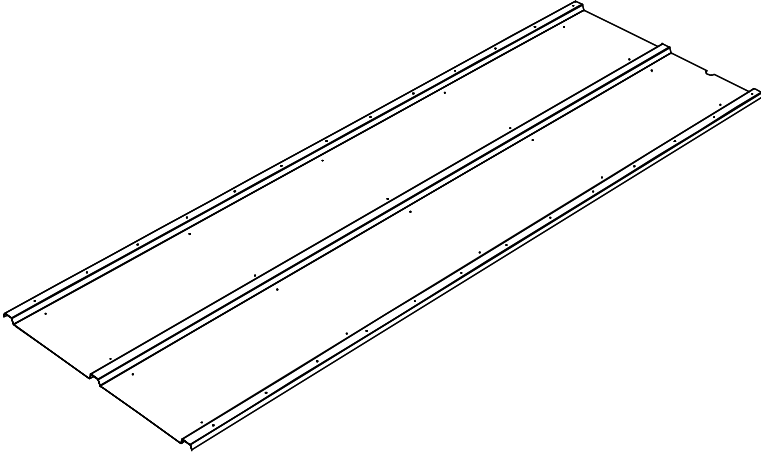

Part Number: 111-0522-01		View 1				View 2	
Model Name:	STEP FLASH 01						
Dimensions: (inches)	9.0 L x 8.0 W x 0.55 H						
Material:	26 GAUGE (.018 THK) COATED STEEL						
Kit Part Number / Description:	360-0146-003 2x3 Landscape	360-0146-004 2x4 Landscape	360-0146-005 2x5 Landscape	360-0146-006 2x6 Landscape	360-0146-007 2x7 Landscape	360-0146-008 2x8 Landscape	
Quantity:	4	4	4	4	4	4	
Kit Part Number / Description:	360-0144-003 3x3 Landscape	360-0144-004 3x4 Landscape	360-0144-005 3x5 Landscape	360-0144-006 3x6 Landscape	360-0144-007 3x7 Landscape	360-0144-008 3x8 Landscape	
Quantity:	4	4	4	4	4	4	

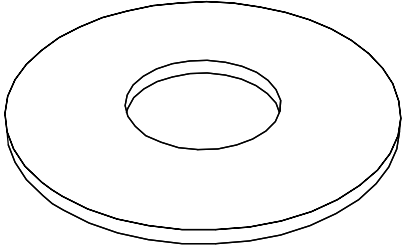
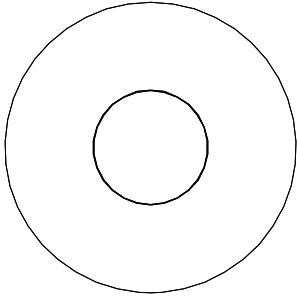
Part Number: 111-0522-02		View 1				View 2	
Model Name:	STEP FLASH 02						
Dimensions: (inches)	9.0 L x 8.0 W x 0.45 H						
Material:	26 GAUGE (.018 THK) COATED STEEL						
Kit Part Number / Description:	360-0146-003 2x3 Landscape	360-0146-004 2x4 Landscape	360-0146-005 2x5 Landscape	360-0146-006 2x6 Landscape	360-0146-007 2x7 Landscape	360-0146-008 2x8 Landscape	
Quantity:	30	30	30	30	30	30	
Kit Part Number / Description:	360-0144-003 3x3 Landscape	360-0144-004 3x4 Landscape	360-0144-005 3x5 Landscape	360-0144-006 3x6 Landscape	360-0144-007 3x7 Landscape	360-0144-008 3x8 Landscape	
Quantity:	50	50	50	50	50	50	

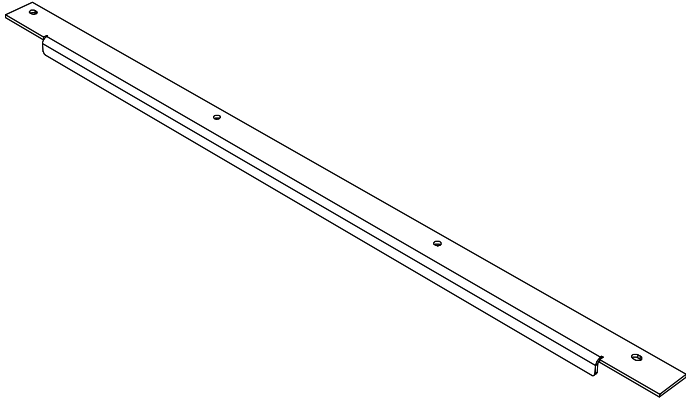
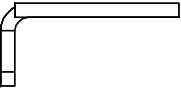
Part Number: 111-0532		View 1				View 2	
Model Name:	PANEL, METAL, ROOF B3 LANDSCAPE						
Dimensions: (inches)	114.59 L x 12.5 W x 1.0H						
Material:	18 GAUGE (.048 THK) COATED STEEL						
Kit Part Number / Description:	360-0146-003 2x3 Landscape	360-0146-004 2x4 Landscape	360-0146-005 2x5 Landscape	360-0146-006 2x6 Landscape	360-0146-007 2x7 Landscape	360-0146-008 2x8 Landscape	
Quantity:	0	0	0	0	0	0	
Kit Part Number / Description:	360-0144-003 3x3 Landscape	360-0144-004 3x4 Landscape	360-0144-005 3x5 Landscape	360-0144-006 3x6 Landscape	360-0144-007 3x7 Landscape	360-0144-008 3x8 Landscape	
Quantity:	6	8	10	12	14	16	

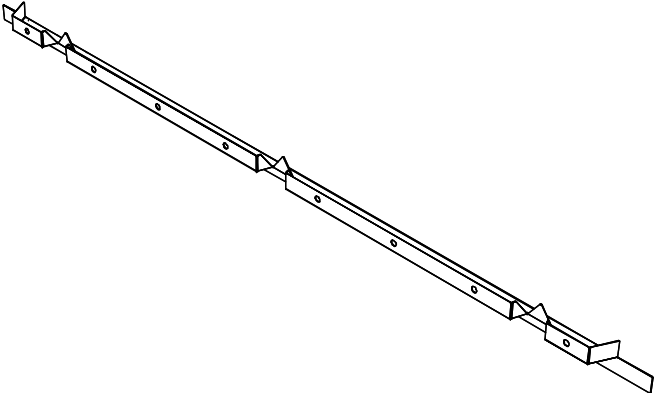

Part Number: 111-0539		View 1				View 2	
Model Name:	PANEL, METAL, ROOF B2L LANDSCAPE						
Dimensions: (inches)	75.89 L x 12.5 W x 1.0H						
Material:	18 GAUGE (.048 THK) COATED STEEL						
Kit Part Number / Description:	360-0146-003 2x3 Landscape	360-0146-004 2x4 Landscape	360-0146-005 2x5 Landscape	360-0146-006 2x6 Landscape	360-0146-007 2x7 Landscape	360-0146-008 2x8 Landscape	
Quantity:	6	8	10	12	14	16	
Kit Part Number / Description:	360-0144-003 3x3 Landscape	360-0144-004 3x4 Landscape	360-0144-005 3x5 Landscape	360-0144-006 3x6 Landscape	360-0144-007 3x7 Landscape	360-0144-008 3x8 Landscape	
Quantity:	0	0	0	0	0	0	

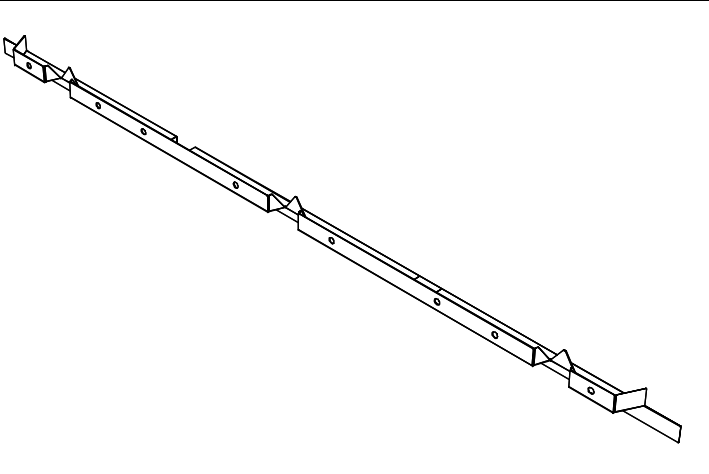

Part Number: 111-0534		View 1				View 2	
Model Name:	PANEL, METAL, ROOF D3 LANDSCAPE						
Dimensions: (inches)	114.59 L x 25.4 W x 0.6H						
Material:	24 GAUGE (0.024 THK) COATED STEEL						
Kit Part Number / Description:	360-0146-003 2x3 Landscape	360-0146-004 2x4 Landscape	360-0146-005 2x5 Landscape	360-0146-006 2x6 Landscape	360-0146-007 2x7 Landscape	360-0146-008 2x8 Landscape	
Quantity:	0	0	0	0	0	0	
Kit Part Number / Description:	360-0144-003 3x3 Landscape	360-0144-004 3x4 Landscape	360-0144-005 3x5 Landscape	360-0144-006 3x6 Landscape	360-0144-007 3x7 Landscape	360-0144-008 3x8 Landscape	
Quantity:	5	7	9	11	13	15	

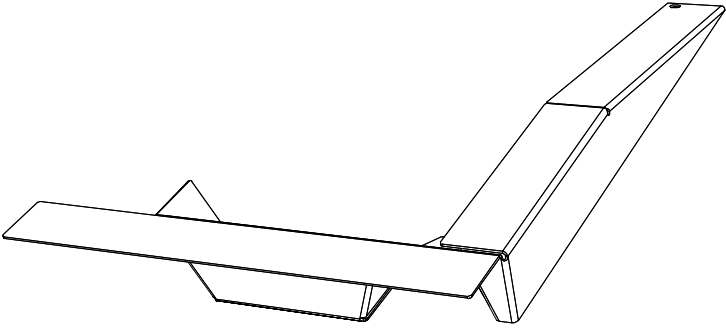
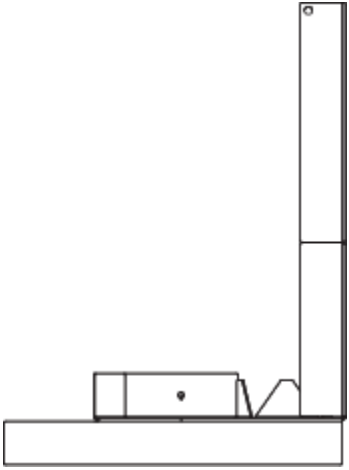
Part Number: 111-0540		View 1				View 2	
Model Name:	PANEL, METAL, ROOF C2L LANDSCAPE						
Dimensions: (inches)	75.89 L x 25.4 W x 0.6H						
Material:	24 GAUGE (0.024 THK) COATED STEEL						
Kit Part Number / Description:	360-0146-003 2x3 Landscape	360-0146-004 2x4 Landscape	360-0146-005 2x5 Landscape	360-0146-006 2x6 Landscape	360-0146-007 2x7 Landscape	360-0146-008 2x8 Landscape	
Quantity:	5	7	9	11	13	15	
Kit Part Number / Description:	360-0144-003 3x3 Landscape	360-0144-004 3x4 Landscape	360-0144-005 3x5 Landscape	360-0144-006 3x6 Landscape	360-0144-007 3x7 Landscape	360-0144-008 3x8 Landscape	
Quantity:	0	0	0	0	0	0	

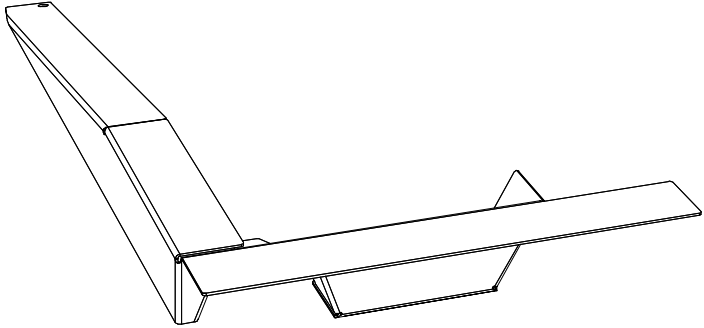
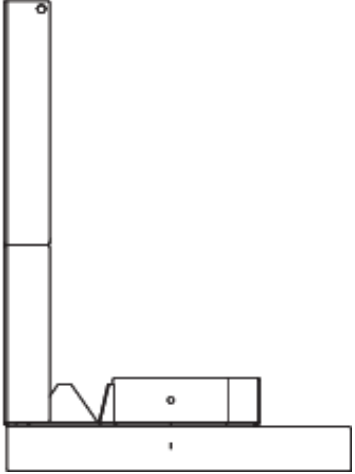
Part Number: 111-0537		View 1			View 2	
Model Name:	RAIL WASHER/SPACER SOLAR					
Dimensions: (inches)	1.5 L x 0.59 W x 0.062 H					
Material:	16 GAUGE (0.062 THK) STAINLESS STEEL					
Kit Part Number / Description:	360-0146-003 2x3 Landscape	360-0146-004 2x4 Landscape	360-0146-005 2x5 Landscape	360-0146-006 2x6 Landscape	360-0146-007 2x7 Landscape	360-0146-008 2x8 Landscape
Quantity:	20	30	40	40	50	60
Kit Part Number / Description:	360-0144-003 3x3 Landscape	360-0144-004 3x4 Landscape	360-0144-005 3x5 Landscape	360-0144-006 3x6 Landscape	360-0144-007 3x7 Landscape	360-0144-008 3x8 Landscape
Quantity:	30	40	50	60	60	70

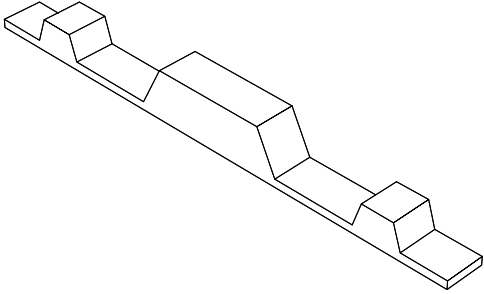

Part Number: 111-0538		View 1				View 2	
Model Name:	BRACKET J-BOX MOUNTING SM- SRS						
Dimensions: (inches)	35.53 L x 2.171 W x 0.75 H						
Material:	8 GAUGE (0.13 THK) BLACK ANODIZED ALUMINUM						
Kit Part Number / Description:	360-0146-003 2x3 Landscape	360-0146-004 2x4 Landscape	360-0146-005 2x5 Landscape	360-0146-006 2x6 Landscape	360-0146-007 2x7 Landscape	360-0146-008 2x8 Landscape	
Quantity:	1	1	1	1	1	1	
Kit Part Number / Description:	360-0144-003 3x3 Landscape	360-0144-004 3x4 Landscape	360-0144-005 3x5 Landscape	360-0144-006 3x6 Landscape	360-0144-007 3x7 Landscape	360-0144-008 3x8 Landscape	
Quantity:	1	1	1	1	1	1	

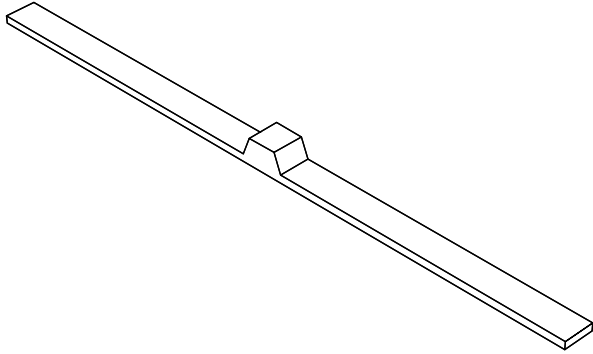
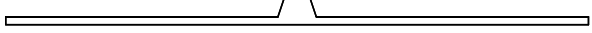
Part Number: 111-0543		View 1				View 2	
Model Name:	CLOSURE TOP D PANEL						
Dimensions: (inches)	32.86 L x 1.44 W x 1.04H						
Material:	24 GAUGE (0.024 THK) COATED STEEL						
Kit Part Number / Description:	360-0146-003 2x3 Landscape	360-0146-004 2x4 Landscape	360-0146-005 2x5 Landscape	360-0146-006 2x6 Landscape	360-0146-007 2x7 Landscape	360-0146-008 2x8 Landscape	
Quantity:	4	6	8	10	12	14	
Kit Part Number / Description:	360-0144-003 3x3 Landscape	360-0144-004 3x4 Landscape	360-0144-005 3x5 Landscape	360-0144-006 3x6 Landscape	360-0144-007 3x7 Landscape	360-0144-008 3x8 Landscape	
Quantity:	4	6	8	10	12	14	

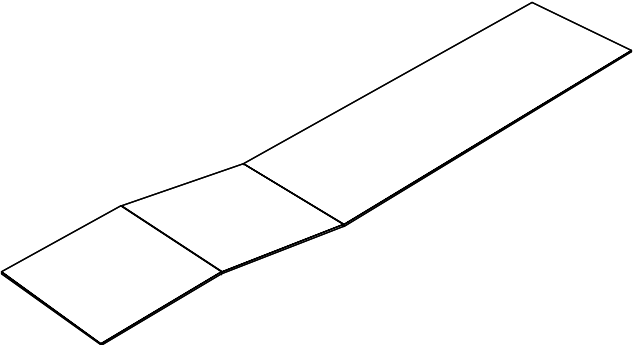

Part Number: 111-0544		View 1				View 2	
Model Name:	CLOSURE TOP D PANEL W/EMT CUTOUT						
Dimensions: (inches)	32.86 L x 1.44 W x 1.04H						
Material:	24 GAUGE (0.024 THK) COATED STEEL						
Kit Part Number / Description:	360-0146-003 2x3 Landscape	360-0146-004 2x4 Landscape	360-0146-005 2x5 Landscape	360-0146-006 2x6 Landscape	360-0146-007 2x7 Landscape	360-0146-008 2x8 Landscape	
Quantity:	1	1	1	1	1	1	
Kit Part Number / Description:	360-0144-003 3x3 Landscape	360-0144-004 3x4 Landscape	360-0144-005 3x5 Landscape	360-0144-006 3x6 Landscape	360-0144-007 3x7 Landscape	360-0144-008 3x8 Landscape	
Quantity:	1	1	1	1	1	1	

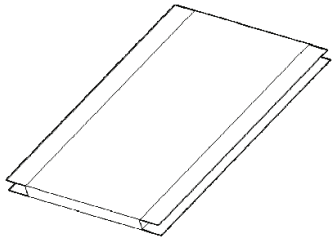

Part Number: 111-0514		View 1				View 2	
Model Name:	CLOSURE TOP RT PANEL						
Dimensions: (inches)	7.18 L x 5.25 W x 1.2 0H						
Material:	24 GAUGE (0.024 THK) COATED STEEL						
Kit Part Number / Description:	360-0146-003 2x3 Landscape	360-0146-004 2x4 Landscape	360-0146-005 2x5 Landscape	360-0146-006 2x6 Landscape	360-0146-007 2x7 Landscape	360-0146-008 2x8 Landscape	
Quantity:	1	1	1	1	1	1	
Kit Part Number / Description:	360-0144-003 3x3 Landscape	360-0144-004 3x4 Landscape	360-0144-005 3x5 Landscape	360-0144-006 3x6 Landscape	360-0144-007 3x7 Landscape	360-0144-008 3x8 Landscape	
Quantity:	1	1	1	1	1	1	

Part Number: 111-0515		View 1				View 2	
Model Name:	CLOSURE TOP LT PANEL						
Dimensions: (inches)	7.18 L x 5.25 W x 1.2 0H						
Material:	24 GAUGE (0.024 THK) COATED STEEL						
Kit Part Number / Description:	360-0146-003 2x3 Landscape	360-0146-004 2x4 Landscape	360-0146-005 2x5 Landscape	360-0146-006 2x6 Landscape	360-0146-007 2x7 Landscape	360-0146-008 2x8 Landscape	
Quantity:	1	1	1	1	1	1	
Kit Part Number / Description:	360-0144-003 3x3 Landscape	360-0144-004 3x4 Landscape	360-0144-005 3x5 Landscape	360-0144-006 3x6 Landscape	360-0144-007 3x7 Landscape	360-0144-008 3x8 Landscape	
Quantity:	1	1	1	1	1	1	

Part Number: 135-0502		View 1				View 2	
Model Name:	CLOSURE LOWER B PANEL						
Dimensions: (inches)	12.5 L x .1.0 W x 1.2 H						
Material:	BLACK EPDM/SBR CLOSED CELL FOAM. PRESSURE SENSITIVE ADHESIVE WITH PEEL OFF LINER						
Kit Part Number / Description:	360-0146-003 2x3 Landscape	360-0146-004 2x4 Landscape	360-0146-005 2x5 Landscape	360-0146-006 2x6 Landscape	360-0146-007 2x7 Landscape	360-0146-008 2x8 Landscape	
Quantity:	8	8	12	12	16	16	
Kit Part Number / Description:	360-0144-003 3x3 Landscape	360-0144-004 3x4 Landscape	360-0144-005 3x5 Landscape	360-0144-006 3x6 Landscape	360-0144-007 3x7 Landscape	360-0144-008 3x8 Landscape	
Quantity:	8	8	12	12	16	16	

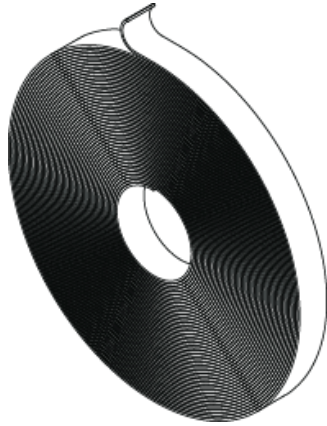
Part Number: 135-0505		View 1			View 2	
Model Name:	CLOSURE LOWER D PANEL					
Dimensions: (inches)	20.28 L x .1.0 W x 0.85 H					
Material:	BLACK EPDM/SBR CLOSED CELL FOAM. PRESSURE SENSITIVE ADHESIVE WITH PEEL OFF LINER					
Kit Part Number / Description:	360-0146-003 2x3 Landscape	360-0146-004 2x4 Landscape	360-0146-005 2x5 Landscape	360-0146-006 2x6 Landscape	360-0146-007 2x7 Landscape	360-0146-008 2x8 Landscape
Quantity:	8	8	12	12	16	16
Kit Part Number / Description:	360-0144-003 3x3 Landscape	360-0144-004 3x4 Landscape	360-0144-005 3x5 Landscape	360-0144-006 3x6 Landscape	360-0144-007 3x7 Landscape	360-0144-008 3x8 Landscape
Quantity:	8	8	12	12	16	16

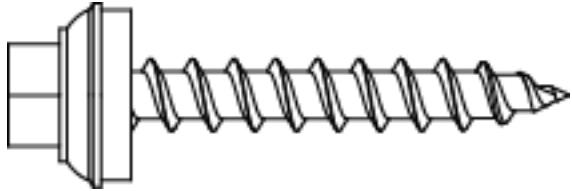
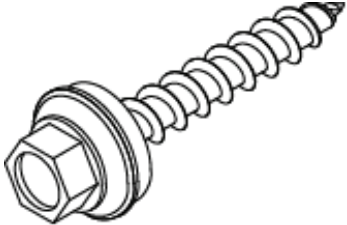
Part Number: 230-0661		View 1			View 2	
Model Name:	ASSY, SEAL, TOP FLASHING					
Dimensions: (inches)	20.9 L x 4.0 W x 0.060 H					
Material:	U.SEAL BAND SELF-ADHESIVE, MULTI PURPOSE TAPE, EMBOSSED ALUMINUM FACED.					
Kit Part Number / Description:	360-0146-003 2x3 Landscape	360-0146-004 2x4 Landscape	360-0146-005 2x5 Landscape	360-0146-006 2x6 Landscape	360-0146-007 2x7 Landscape	360-0146-008 2x8 Landscape
Quantity:	1	2	3	3	4	5
Kit Part Number / Description:	360-0144-003 3x3 Landscape	360-0144-004 3x4 Landscape	360-0144-005 3x5 Landscape	360-0144-006 3x6 Landscape	360-0144-007 3x7 Landscape	360-0144-008 3x8 Landscape
Quantity:	1	2	3	3	4	5

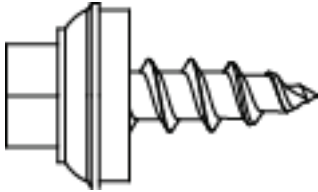

Part Number: 230-0662		View 1			View 2	
Model Name:	ASSY, BOLT SEAL (10X per pkg)					
Dimensions: (inches)	1.5 L x 0.75 W x 0.063 H					
Material:	GRAY SEALANT WITH FRONT AND BACK LINER					
Kit Part Number / Description:	360-0146-003 2x3 Landscape	360-0146-004 2x4 Landscape	360-0146-005 2x5 Landscape	360-0146-006 2x6 Landscape	360-0146-007 2x7 Landscape	360-0146-008 2x8 Landscape
Quantity:	2	3	4	4	5	6
Kit Part Number / Description:	360-0144-003 3x3 Landscape	360-0144-004 3x4 Landscape	360-0144-005 3x5 Landscape	360-0144-006 3x6 Landscape	360-0144-007 3x7 Landscape	360-0144-008 3x8 Landscape
Quantity:	3	4	5	6	6	7

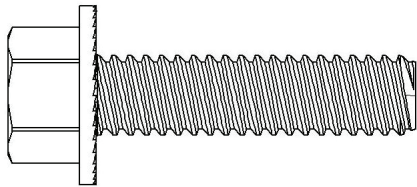
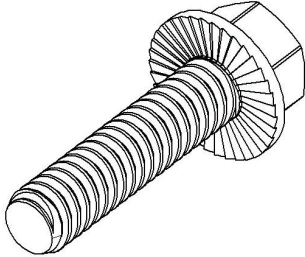
Part Number: 230-4017		View 1				View 2	
Model Name:	ASSY RAIL 3 ROW LANDSCAPE						
Dimensions: (inches)	123.79 L x 2.46W x 0.75 H						
Material:	BLACK ANODIZED ALUMINUM						
Kit Part Number / Description:	360-0146-003 2x3 Landscape	360-0146-004 2x4 Landscape	360-0146-005 2x5 Landscape	360-0146-006 2x6 Landscape	360-0146-007 2x7 Landscape	360-0146-008 2x8 Landscape	
Quantity:	0	0	0	0	0	0	
Kit Part Number / Description:	360-0144-003 3x3 Landscape	360-0144-004 3x4 Landscape	360-0144-005 3x5 Landscape	360-0144-006 3x6 Landscape	360-0144-007 3x7 Landscape	360-0144-008 3x8 Landscape	
Quantity:	6	8	10	12	14	16	

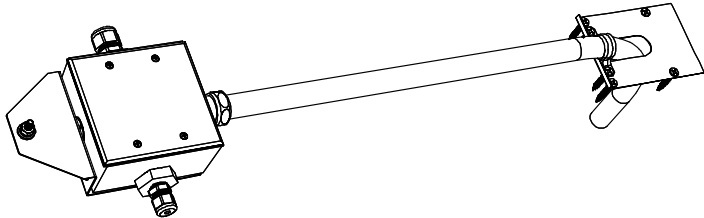
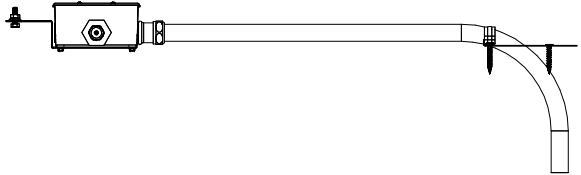
Part Number: 230-4018		View 1			View 2	
Model Name:	ASSY RAIL 2 ROW LANDSCAPE					
Dimensions: (inches)	83.08 L x 2.46W x 0.75 H					
Material:	BLACK ANODIZED ALUMINUM					
Kit Part Number / Description:	360-0146-003 2x3 Landscape	360-0146-004 2x4 Landscape	360-0146-005 2x5 Landscape	360-0146-006 2x6 Landscape	360-0146-007 2x7 Landscape	360-0146-008 2x8 Landscape
Quantity:	6	8	10	12	14	16
Kit Part Number / Description:	360-0144-003 3x3 Landscape	360-0144-004 3x4 Landscape	360-0144-005 3x5 Landscape	360-0144-006 3x6 Landscape	360-0144-007 3x7 Landscape	360-0144-008 3x8 Landscape
Quantity:	0	0	0	0	0	0

Part Number: 502-0401		View 1			View 2	
Model Name:	BUTYL SEALING TAPE					
Dimensions: (inches)	600 L x 3/4 W x 3/32 H (per roll)					
Material:	HIGH TEMPERATURE SELF ADHERING DOUBLE SIDED BUTYL RUBBER SEALING TAPE WITH EASY RELEASE SILICONE COATED PAPER					
Kit Part Number / Description:	360-0146-003 2x3 Landscape	360-0146-004 2x4 Landscape	360-0146-005 2x5 Landscape	360-0146-006 2x6 Landscape	360-0146-007 2x7 Landscape	360-0146-008 2x8 Landscape
Quantity:	4	5	6	7	8	9
Kit Part Number / Description:	360-0144-003 3x3 Landscape	360-0144-004 3x4 Landscape	360-0144-005 3x5 Landscape	360-0144-006 3x6 Landscape	360-0144-007 3x7 Landscape	360-0144-008 3x8 Landscape
Quantity:	5	6	7	8	9	10

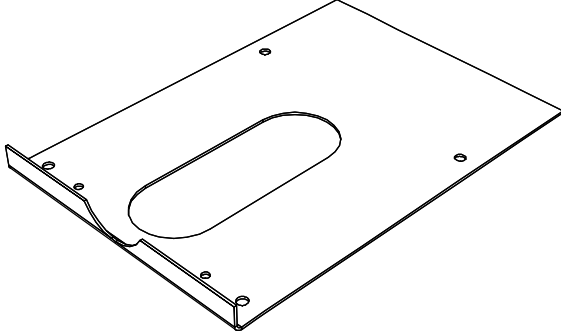
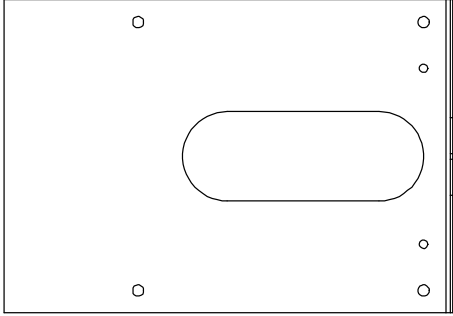
Part Number: 510-7515		View 1				View 2	
Model Name:	SCREW, HWH WOODZAC XG, MATTE BLACK						
Dimensions: (inches)	#12 X 3/4 w/ 5/16 HEX HEAD						
Material:	Acrylic Coating over Zinc Plate						
Kit Part Number / Description:	360-0146-003 2x3 Landscape	360-0146-004 2x4 Landscape	360-0146-005 2x5 Landscape	360-0146-006 2x6 Landscape	360-0146-007 2x7 Landscape	360-0146-008 2x8 Landscape	
Quantity:	500	500	750	750	1000	1000	
Kit Part Number / Description:	360-0144-003 3x3 Landscape	360-0144-004 3x4 Landscape	360-0144-005 3x5 Landscape	360-0144-006 3x6 Landscape	360-0144-007 3x7 Landscape	360-0144-008 3x8 Landscape	
Quantity:	500	750	1000	1000	1250	1500	

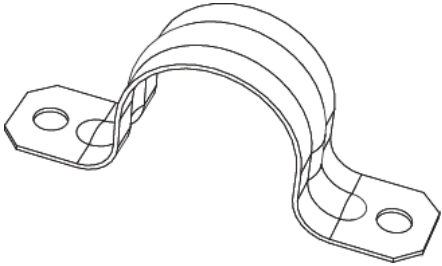

Part Number: 510-7516		View 1				View 2	
Model Name:	SCREW, HWH TYPE A POINT, MATTE BLACK						
Dimensions: (inches)	#12 X 3/4 w/ 5/16 HEX HEAD						
Material:	Acrylic Coating over Zinc Plate						
Kit Part Number / Description:	360-0146-003 2x3 Landscape	360-0146-004 2x4 Landscape	360-0146-005 2x5 Landscape	360-0146-006 2x6 Landscape	360-0146-007 2x7 Landscape	360-0146-008 2x8 Landscape	
Quantity:	250	250	500	500	500	500	
Kit Part Number / Description:	360-0144-003 3x3 Landscape	360-0144-004 3x4 Landscape	360-0144-005 3x5 Landscape	360-0144-006 3x6 Landscape	360-0144-007 3x7 Landscape	360-0144-008 3x8 Landscape	
Quantity:	250	500	500	500	750	750	

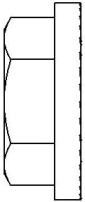
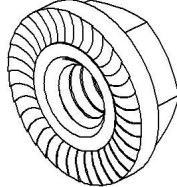
Part Number: 510-7518		View 1				View 2	
Model Name:	SCR FLANGED HHC SS						
Dimensions: (inches)	1/4-20 X 1						
Material:	STAINLESS STEEL						
Kit Part Number / Description:	360-0146-003 2x3 Landscape	360-0146-004 2x4 Landscape	360-0146-005 2x5 Landscape	360-0146-006 2x6 Landscape	360-0146-007 2x7 Landscape	360-0146-008 2x8 Landscape	
Quantity:	20	30	40	40	50	60	
Kit Part Number / Description:	360-0144-003 3x3 Landscape	360-0144-004 3x4 Landscape	360-0144-005 3x5 Landscape	360-0144-006 3x6 Landscape	360-0144-007 3x7 Landscape	360-0144-008 3x8 Landscape	
Quantity:	30	40	50	60	60	70	

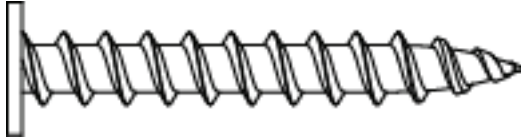
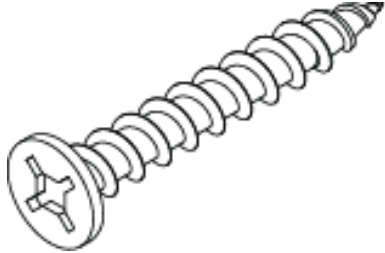
Part Number: 230-4003		View 1				View 2	
Model Name:	INSTALLATION ASSY, ELECTRICAL JUNCTION BOX						
Dimensions: (inches)	30.7 L x 7.68 W x 9.0 H						
Material:							
Kit Part Number / Description:	360-0146-003 2x3 Landscape	360-0146-004 2x4 Landscape	360-0146-005 2x5 Landscape	360-0146-006 2x6 Landscape	360-0146-007 2x7 Landscape	360-0146-008 2x8 Landscape	
Quantity:	1	1	1	1	1	1	
Kit Part Number / Description:	360-0144-003 3x3 Landscape	360-0144-004 3x4 Landscape	360-0144-005 3x5 Landscape	360-0144-006 3x6 Landscape	360-0144-007 3x7 Landscape	360-0144-008 3x8 Landscape	
Quantity:	1	1	1	1	1	1	

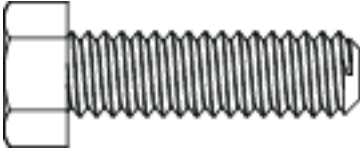
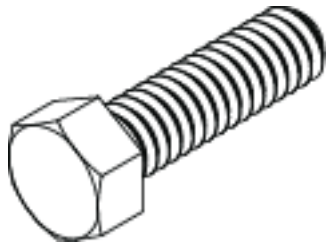
The following items are packaged with the 230-4003 Electrical Junction Box Assembly. Quantities listed are for a single junction box.

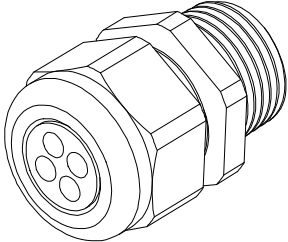
Part Number: 111-0519		View 1				View 2	
Model Name:	EMT CONDUIT SUPPORT						
Dimensions: (inches)	5 L x 3.5 W x 0.33 H						
Material:	20 GAUGE (.036 THK) COATED STEEL						
Kit Part Number / Description:	360-0146-003 2x3 Landscape	360-0146-004 2x4 Landscape	360-0146-005 2x5 Landscape	360-0146-006 2x6 Landscape	360-0146-007 2x7 Landscape	360-0146-008 2x8 Landscape	
Quantity:	1	1	1	1	1	1	
Kit Part Number / Description:	360-0144-003 3x3 Landscape	360-0144-004 3x4 Landscape	360-0144-005 3x5 Landscape	360-0144-006 3x6 Landscape	360-0144-007 3x7 Landscape	360-0144-008 3x8 Landscape	
Quantity:	1	1	1	1	1	1	

Part Number: 158-0931		View 1			View 2	
Model Name:	CLAMP, RIGID ½ OR ¾ EMT					
Dimensions: (inches)	2.375 L X 0.565 W X 0.926 H					
Material:	ZINC PLATED STEEL					
Kit Part Number / Description:	360-0146-003 2x3 Landscape	360-0146-004 2x4 Landscape	360-0146-005 2x5 Landscape	360-0146-006 2x6 Landscape	360-0146-007 2x7 Landscape	360-0146-008 2x8 Landscape
Quantity:	1	1	1	1	1	1
Kit Part Number / Description:	360-0144-003 3x3 Landscape	360-0144-004 3x4 Landscape	360-0144-005 3x5 Landscape	360-0144-006 3x6 Landscape	360-0144-007 3x7 Landscape	360-0144-008 3x8 Landscape
Quantity:	1	1	1	1	1	1

Part Number: 509-2502		View 1			View 2	
Model Name:	FLANGED HEX NUT					
Dimensions: (inches)	¼ - 20					
Material:	STAINLESS STEEL					
Kit Part Number / Description:	360-0146-003 2x3 Landscape	360-0146-004 2x4 Landscape	360-0146-005 2x5 Landscape	360-0146-006 2x6 Landscape	360-0146-007 2x7 Landscape	360-0146-008 2x8 Landscape
Quantity:	3	3	3	3	3	3
Kit Part Number / Description:	360-0144-003 3x3 Landscape	360-0144-004 3x4 Landscape	360-0144-005 3x5 Landscape	360-0144-006 3x6 Landscape	360-0144-007 3x7 Landscape	360-0144-008 3x8 Landscape
Quantity:	3	3	3	3	3	3

Part Number: 510-7503		View 1			View 2	
Model Name:	SCREW, PANCAKE HEAD TYPE A P					
Dimensions: (inches)	#12 X X 1 1/2 SMS W/ QUADREX HEAD					
Material:	ZINC PLATED STEEL					
Kit Part Number / Description:	360-0146-003 2x3 Landscape	360-0146-004 2x4 Landscape	360-0146-005 2x5 Landscape	360-0146-006 2x6 Landscape	360-0146-007 2x7 Landscape	360-0146-008 2x8 Landscape
Quantity:	6	6	6	6	6	6
Kit Part Number / Description:	360-0144-003 3x3 Landscape	360-0144-004 3x4 Landscape	360-0144-005 3x5 Landscape	360-0144-006 3x6 Landscape	360-0144-007 3x7 Landscape	360-0144-008 3x8 Landscape
Quantity:	6	6	6	6	6	6

Part Number: 510-7910		View 1			View 2	
Model Name:	HBOLT					
Dimensions: (inches)	1/4-20 X 0.875					
Material:	ZINC PLATED STAINLESS STEEL					
Kit Part Number / Description:	360-0146-003 2x3 Landscape	360-0146-004 2x4 Landscape	360-0146-005 2x5 Landscape	360-0146-006 2x6 Landscape	360-0146-007 2x7 Landscape	360-0146-008 2x8 Landscape
Quantity:	3	3	3	3	3	3
Kit Part Number / Description:	360-0144-003 3x3 Landscape	360-0144-004 3x4 Landscape	360-0144-005 3x5 Landscape	360-0144-006 3x6 Landscape	360-0144-007 3x7 Landscape	360-0144-008 3x8 Landscape
Quantity:	3	3	3	3	3	3

Part Number: 158-0938		View 1			View 2	
Model Name:	CORD GRIP 4 HOLE				<p>Note: Ships loose inside junction box</p>	
Dimensions: (inches)	3/4 -14 NPT					
Material:	NYLON					
Kit Part Number / Description:	360-0146-003 2x3 Landscape	360-0146-004 2x4 Landscape	360-0146-005 2x5 Landscape	360-0146-006 2x6 Landscape	360-0146-007 2x7 Landscape	360-0146-008 2x8 Landscape
Quantity:	1	1	1	1	1	1
Kit Part Number / Description:	360-0144-003 3x3 Landscape	360-0144-004 3x4 Landscape	360-0144-005 3x5 Landscape	360-0144-006 3x6 Landscape	360-0144-007 3x7 Landscape	360-0144-008 3x8 Landscape
Quantity:	1	1	1	1	1	1

Roofing Repair Kit: Boxed Repair Kit is Not Pictured

Part Number: 230-4022		View 1			View 2	
Model Name:	ASSY SRS SUNMIZER ROOFING REPAIR					
Dimensions: (inches)	BOXED					
Material:						
Kit Part Number / Description:	360-0146-003 2x3 Landscape	360-0146-004 2x4 Landscape	360-0146-005 2x5 Landscape	360-0146-006 2x6 Landscape	360-0146-007 2x7 Landscape	360-0146-008 2x8 Landscape
Quantity:	1	1	1	1	1	1
Kit Part Number / Description:	360-0144-003 3x3 Landscape	360-0144-004 3x4 Landscape	360-0144-005 3x5 Landscape	360-0144-006 3x6 Landscape	360-0144-007 3x7 Landscape	360-0144-008 3x8 Landscape
Quantity:	1	1	1	1	1	1

Non-supplied Materials Specifications

The following materials are required for installation of SunMizer Solar Roofing System (SM-SRS) Roofing Kit. Substitution of specified materials will invalidate the roof system warranty and result in an installation that may violate local or state fire codes.

- ◆ Grace Ice and Water Shield HT. One layer applied to roof deck.
- ◆ GAF Versashield Fire-Resistant Roof Deck Underlayment. Two layers over Grace Ice and Water Shield.

This page is intentionally left blank.



1360 Redwood Way, Suite A
Petaluma, CA 94954-1104
USA
Toll Free: +1 855-467-6777
www.sunmizer.com
info@sunmizer.com

LISTED ROOFING COMPONENT

Product Conforms To:
UL 790
UL1897
UL 580
ASTM E108



Intertek
W/N 20825